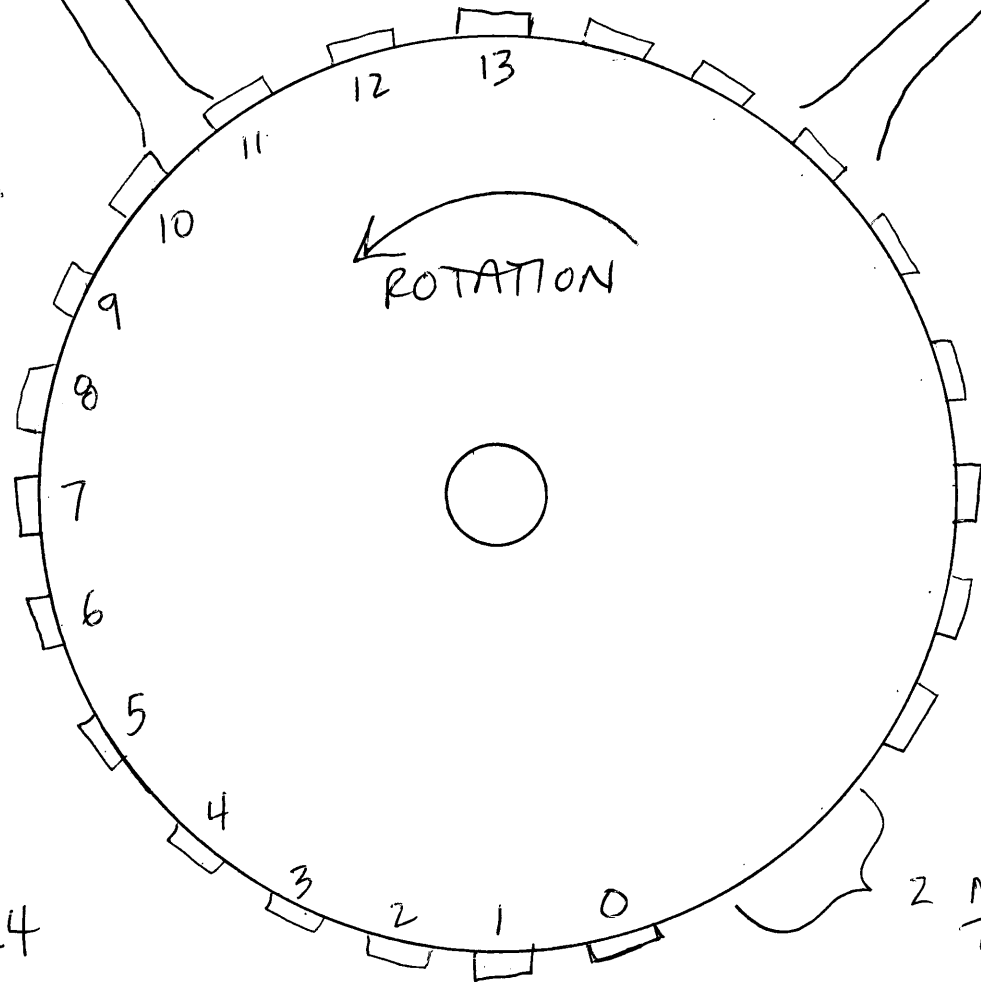
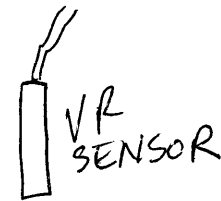
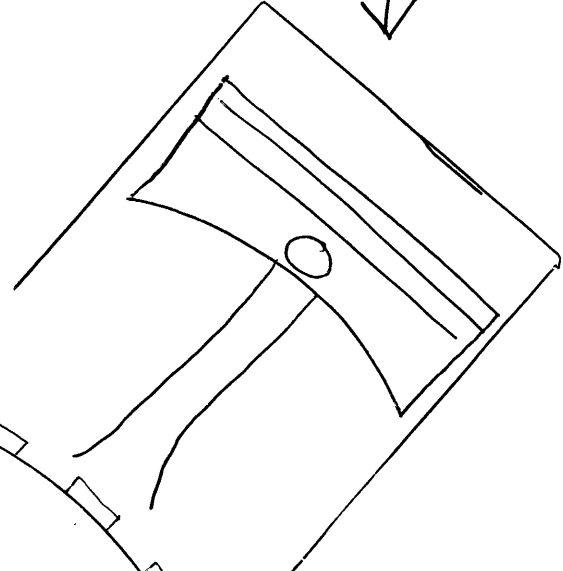
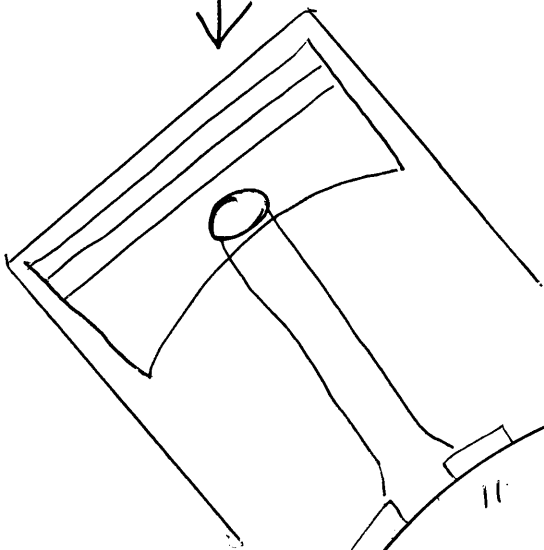


- 90° VTWIN KAWASAKI
- FIRING ORDER: 1-2 (FRONT-REAR)
- DUAL SPARK MODE
- 1 CRANK SENSOR - NO CAM SENSOR
- OUTPUT #2 = -270deg.

FRONT CYLINDER @ TDC

REAR CYLINDER



TEETH=24
 MISSING=2
 SKIP TEETH=24
 DELAY=13

2 MISSING 6 TEETH